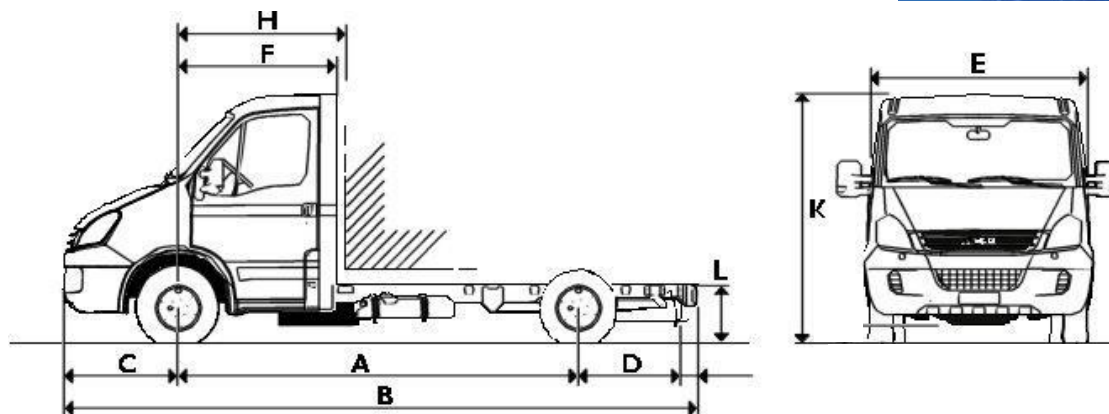


IVECO DAILY



29L10 Chassis Cab



Model

29L10

Dimensions (mm)

| | | |
|---|-------------|-------------|
| A Wheelbase | 3000 | 3450 |
| B Overall length | 5077 | 5077 |
| C Front overhang | 998 | 998 |
| D Rear overhang | 920 | 1355 |
| E Maximum cab width | 1996 | 1996 |
| F Front axle to back of cab | 1355 | 1355 |
| H Front axle to body | 1410 | 1410 |
| Cab gap | 55 | 55 |
| K Overall height (unladen) | 2225 | 2215 |
| L Frame height at rear (unladen) | 700 | 700 |
| Turning circle (k to k) (m) | 10.4 | 11.7 |
| Turning circle (w to w) (m) | 11.5 | 12.8 |

Body dimensions (mm)

| | | |
|---------------------------------|------|------|
| Maximum body width | 2200 | 2200 |
| Recommended maximum body length | 3000 | 3885 |

Weights (kg)

Kerb weights are with full fuel tank, oil, water, spare wheel, tools and include driver @ 75 kg. Kerb weights are subject to a manufacturing tolerance of + or - 5%

| | | |
|------------------------|------|------|
| Wheelbase | 3000 | 3450 |
| GVW | 3200 | 3200 |
| GTW | 5200 | 5200 |
| Kerb weights | | |
| Front axle | 1235 | 1250 |
| Rear axle | 465 | 465 |
| Total | 1700 | 1715 |
| Maximum body & payload | 1500 | 1485 |
| Plated weights | | |
| Front axle | 1500 | 1500 |
| Rear axle | 1900 | 1900 |

IVECO DAILY 29L10 Chassis Cab

| | |
|---------------------|--------------------------|
| Engines | 29L10 |
| Fuel | Diesel |
| Capacity (litres) | 2.3 |
| Cylinders | 4 (16 valves) |
| Emission Compliance | Euro 4 |
| Fuel System | Common rail Generation 2 |
| Power (hp/ kW) | 96/ 70 |
| @ rpm | 2700-3900 |
| Torque (Nm/ lbft) | 240/ 177 |
| @ rpm | 1800-2600 |
| Exhaust System | Centre emit |

| | |
|------------------|--|
| Gearboxes | |
| Type | 5S300OD 5 speed synchronesh overdrive |
| 1st gear | 4.99 : 1 |
| Top gear | 0.78 : 1 |

| | | |
|-------------------------|-----|-----|
| Performance | | |
| Gear | 1st | Top |
| Max. geared speed (mph) | 13 | 85 |
| Gradeability @ GVW (%) | 40+ | 7 |

| | |
|-------------------------|------|
| Rear Axle Ratios | |
| Std | 4.45 |

| | |
|---------------|-----------|
| Clutch | |
| Type | Hydraulic |
| Diameter | 235 |

| | |
|------------------|-------------|
| Electrics | |
| Alternator - std | 14v - 110A |
| Alternator - opt | 14v - 140A |
| Battery | 12v - 110Ah |

Lighting & Signalling
Halogen headlamps; front fog lamps; twin rear fog lamps; twin reverse lamps

| | |
|-------------------|---|
| Suspension | |
| Front | Independent with transverse leaf spring |
| Rear | Single leaf parabolic |
| Anti-roll Bar | Standard on rear axle |
| Shock absorbers | Front and rear |

| | |
|------------------|---------------------------------|
| Brakes | |
| Front / Diameter | Ventilated disc brakes / 300 mm |
| Rear / Diameter | Disc brakes / 296 mm |
| ABS + EBD | Standard |
| Parking brake | On rear axle |

Steering Power assisted - Rack & Pinion

| | |
|---------------------------|--|
| Wheels & Tyres | |
| Wheels | 6JK 16 |
| Tyres | 205/ 65R16 |
| Spare | Located behind left wheel arch in rear |

Fuel Tank 70 litres with locking fuel cap

Standard Equipment

Cab

| | |
|--|--------------------------------------|
| Fully adjustable driver's seat with headrest | Dual passenger seat with headrests |
| Three point inertia reel belt on all seats | Large dual storage pockets in doors |
| Exterior mirrors with integrated wide angle and direction indicators | Single piece floor mat |
| Underseat storage | 2 cup holders |
| A4 storage compartment | Glove compartment with added storage |
| Clip holder | Bottle holder |
| Cooled compartment (with opt. air conditioning) | Additional in-dash storage |

Heating & Ventilation

Four speed fan with 5 different distribution modes and cab recirculation
Windshield and side window defrost facility
Fresh air ventilation when heater turned off

Dashboard incorporates

| | |
|---|--|
| Dash-mounted gear lever | RDS stereo radio/CD player (with Can security) |
| Provision for GPS or tachograph | Speedometer |
| Coolant temperature indicator | Rev. counter |
| 3 DIN drawers, two of which carry CD Player and/or tachograph | |
| LCD Display Panel includes: odometer, trip computer with distance, time, fuel consumption etc; headlamp orientation (dip/main); clock | |

Security

| | |
|---|--------------------|
| Central locking with remote control and door locking management - anti-theft system | Engine immobiliser |
| | Steering lock |

Chassis

Flat topped high tensile steel c-section frame complete with pedestal body mounting brackets
Rear underslung spare wheel and carrier
Rear under ride guard

Construction & Finish

C-section steel longitudinal side members and tubular cross members with pressed steel unitary construction body mounted on rubber bushes. Anti-corrosion protection includes full cathophoretic dipping with galvanized boxed sections and strategic use of zinc plated panels in vulnerable areas. Protective under seal for all under body cabin area, wheel housings and engine area. SMC bumper and side mouldings.

Options

AGile semi-automated 6-speed gearbox
Airbag for driver with seat belt pretensioners
Airbags for driver and passengers with seat belt tensioners
Airbags for driver and passengers with seat belt tensioners plus window bags
Air conditioning
Alarm system
Alternator- heavy duty
Ambient air temperature gauge (option with air conditioning)
ASR - Traction control
Blue Tooth vivavoice system with steering wheel controls
Body builder connectors
Colour keyed bumper and trim
Comfort dashboard - LCD panel additions include: External temperature display; servicing indicator; ice warning; automated gearbox
Comfort seats - driver and passenger
ECAS air suspension on rear axle
ESP - Electronic Stability Programme (includes ABS - Anti-lock Brakes, EBD - Electronic Brake Force Distribution, ASR - Traction Control, MSR - Motor Torque Reduction, HBA - Hydraulic Brake Assist)
Exhaust with CRT
Exterior mirrors - heated and electrically adjustable
Fuel tank with locking cap - 100 litres
GPS satellite navigation
Headlamp washers
Long external mirror arm
Overhead windscreen storage rack and DIN drawer
PVC trim
Rear axle ratio options
Full screen satellite navigation
Tachograph - digital
Tow bar with ball
Towing electric socket (13 pin)
Windows electrically operated

For a complete list of Daily options please contact your local Iveco distributor