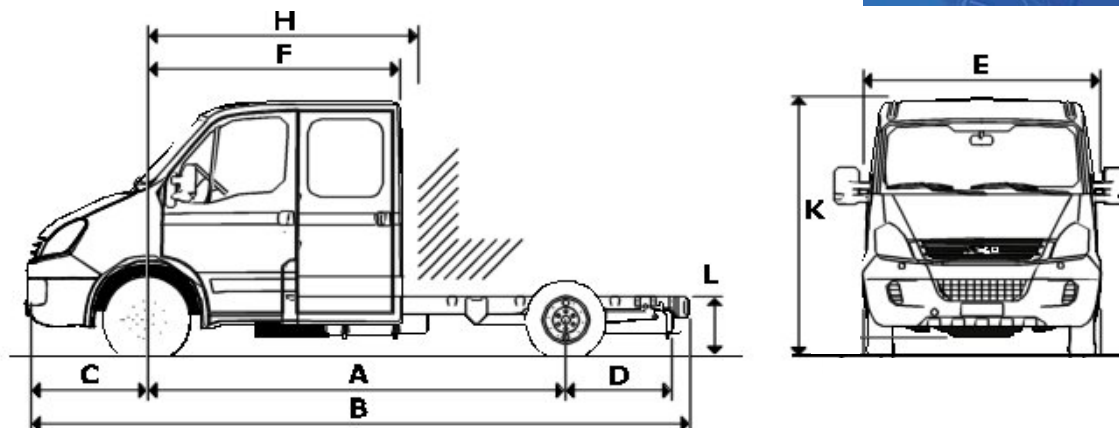


IVECO DAILY



35C12 / 35C15 / 35C18 Crew Cabs



Model

	35C12	35C15	35C18
	35C12	35C15	35C18
	35C15	35C15	35C18
	35C18	35C18	35C18

Dimensions (mm)

	3450	3750	4100
A Wheelbase	3450	3750	4100
B Overall length	5899	6509	6509
C Front overhang	998	998	998
D Rear overhang	1355	1665	1715
E Maximum cab width	1996	1996	1996
F Front axle to back of cab	2105	2105	2105
H Front axle to body	2160	2160	2160
Cab gap	55	55	55
K Overall height (unladen)	2290	2285	2280
L Frame height at rear	770	770	770
Turning circle (k to k) (m)	12.5	13.4	14.5
Turning circle (w to w) (m)	13.6	14.5	15.6

Body Dimensions (mm)

Maximum body width	2200	2200	2200
Option	2350	2350	2350
Recommended maximum body length	3135	3745	4155

Weights (kg)

Kerb weights are with full fuel tank, oil, water, spare wheel, tools and include driver @ 75 kg. Kerb weights are subject to a manufacturing tolerance of + or - 5%.

Model	35C12			35C15			35C18		
	3450	3750	4100	3450	3750	4100	3450	3750	4100
Wheelbase	3450	3750	4100	3450	3750	4100	3450	3750	4100
GVW	3500	3500	3500	3500	3500	3500	3500	3500	3500
GTW	6500	6500	6500	7000	7000	7000	7000	7000	7000
Kerb weights									
Front axle	1420	1435	1460	1440	1460	1480	1440	1460	1480
Rear axle	690	685	675	700	700	685	700	700	685
Total	2110	2120	2135	2140	2160	2165	2140	2160	2165
Maximum body & payload	1390	1380	1365	1360	1340	1335	1360	1340	1335
Plated weights									
Front axle	1900	1900	1900	1900	1900	1900	1900	1900	1900
Rear axle	2600	2600	2600	2600	2600	2600	2600	2600	2600

IVECO DAILY 35C12 / 35C15 / 35C18 Crew Cabs

Engines	C12	C15	C18
Fuel	Diesel	Diesel	Diesel
Capacity (litres)	2.3	3.0	3.0
Cylinders	4 (16 valves)		
Emission Compliance	Euro 4		
Fuel System	Common rail Generation 2		
Power (hp/ kW)	116/ 85	146/ 107	176/ 130
@ rpm	3200-3900	3000-3500	3200-3500
Torque (Nm/ lbft)	270/ 199	350/ 258	400/ 295
@ rpm	1800-2800	1400-2600	1250-3000
Exhaust System	Centre emit		

Gearboxes	C12	C15	C18
Type	5S300OD	6S400OD	6S400OD
	5 speed	6 speed	6 speed
	synchromesh	synchromesh	synchromesh
	overdrive	overdrive	overdrive
1st gear	4.99 : 1	5.37 : 1	5.37 : 1
Top gear	0.78 : 1	0.79 : 1	0.79 : 1

Performance	C12		C15		C18	
Gear	1st	Top	1st	Top	1st	Top
Max. geared speed (mph)	15	94	12	84	13	90
Gradeability @ GVW (%)	40+	7	40+	9	40+	10

Rear Axle Ratios	C12	C15	C18
Standard	4.18	4.18	3.92

Clutch	C12	C15	C18
Type	Hydraulic	Hydraulic	Hydraulic
Diameter	235	280	280

Electrics	
Alternator - std	14v - 110A
Alternator - opt	14v - 140A
Battery	12v - 110Ah

Lighting & Signalling
Halogen headlamps; front fog lamps; twin rear fog lamps; twin reverse lamps

Suspension	
Front	Independent with torsion bars
Rear	Semi elliptical leaf springs
Anti-roll Bar	Front and rear
Shock absorbers	Front and rear

Brakes	
Front / Diameter	Ventilated disc brakes / 290 mm
Rear / Diameter	Ventilated disc brakes / 290 mm
ABS + EBD	Standard
Parking brake	On rear axle

Steering Power assisted - Rack & Pinion

Wheels & Tyres	
Wheels	6JK 16
Tyres	195/ 75R16
Spare	Standard

Fuel Tank 70 litres on nearside with locking fuel cap

Standard Equipment

Cab (6+1)

Fully adjustable driver's seat with headrest
Dual passenger seat with headrests
4 passenger rear seat with headrests
Three point inertia reel belt on front seats and rear outer seats. Inertia lap belt for rear centre seats
Exterior mirrors with integrated wide angle and direction indicators
Underseat storage
A4 storage compartment
Cooled compartment (with opt. air conditioning)
Support handle in rear for outer passengers

Drivers airbag (option on 35C12)
Large dual storage pockets in doors
Single piece floor mat
2 cup holders
Glove compartment with added storage
Bottle holder
Additional in-dash storage
Clip holder
Rear panel with small window
Rear doors with sliding window
Additional light in rear

Heating & Ventilation

Four speed fan with 5 different distribution modes and cab recirculation
Windshield and side window defrost facility
Fresh air ventilation when heater turned off

Dashboard incorporates

Dash-mounted gear lever
Provision for GPS or tachograph
Coolant temperature indicator
3 DIN drawers, two of which carry CD Player and/or tachograph
LCD Display Panel includes: odometer, trip computer with distance, time, fuel consumption etc; headlamp orientation (dip/main); clock

RDS stereo radio/CD player (with Can security)
Speedometer
Rev. counter

Security

Central locking with remote control and door locking management - anti-theft system
Engine immobiliser
Steering lock

Chassis

Flat topped high tensile steel c-section frame complete with pedestal body mounting brackets
Rear underslung spare wheel and carrier
Rear under ride guard

Construction & Finish

C-section steel longitudinal side members and tubular cross members with pressed steel unitary construction body mounted on rubber bushes. Anti-corrosion protection includes full cathophoretic dipping with galvanized boxed sections and strategic use of zinc plated panels in vulnerable areas. Protective under seal for all under body cabin area, wheel housings and engine area. SMC bumper and side mouldings.

Options

AGile semi-automated 6-speed gearbox
Airbag for driver (35C12) with seat belt pretensioners
Airbags for driver and passengers with seat belt tensioners
Airbags for driver and passengers with seat belt tensioners plus window bags
Air conditioning
Alarm system
Alternator- heavy duty
Ambient air temperature gauge (option with air conditioning)
ASR - Traction control
Blue Tooth vivavoice system with steering wheel controls
Body builder connectors
Colour keyed bumper and trim
Comfort dashboard - LCD panel additions include: External temperature display; servicing indicator; ice warning; automated gearbox
Comfort seats - driver and passenger
ECAS air suspension on rear axle
ESP - Electronic Stability Programme (includes ABS - Anti-lock Brakes, EBD - Electronic Brake Force Distribution, ASR - Traction Control, MSR - Motor Torque Reduction, HBA - Hydraulic Brake Assist)
Exhaust with CRT
Exterior mirrors - heated and electrically adjustable
Fuel tank with locking cap - 100 litres
GPS satellite navigation
Headlamp washers
Long external mirror arm
Overhead windscreen storage rack and DIN drawer
PVC trim
Rear axle ratio options
Full screen satellite navigation
Tachograph - digital
Tow bar with ball
Towing electric socket (13 pin)
Windows electrically operated

For a complete list of Daily options please contact your local Iveco distributor