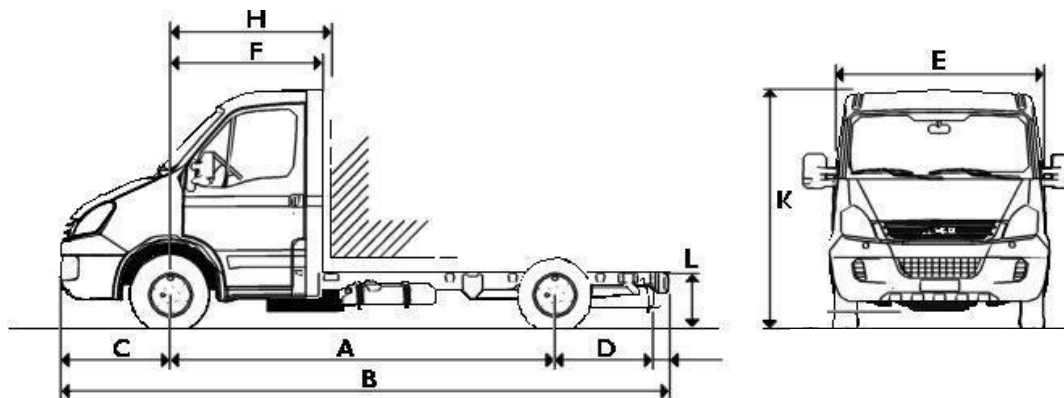


# IVECO DAILY



## 35S12 / 35S14 Chassis Cab



Model	35S12	35S12	35S12	35S14	35S14
-------	-------	-------	-------	-------	-------

### Dimensions (mm)

<b>A</b> Wheelbase	3000	3450	3750	3450	3750
<b>B</b> Overall length	5014	5899	6509	5899	6509
<b>C</b> Front overhang	998	998	998	998	998
<b>D</b> Rear overhang	920	1355	1665	1355	1665
<b>E</b> Maximum cab width	1996	1996	1996	1996	1996
<b>F</b> Front axle to back of cab	1355	1355	1355	1355	1355
<b>H</b> Front axle to body	1410	1410	1410	1410	1410
Cab gap	55	55	55	55	55
<b>K</b> Overall height (unladen)	2245	2240	2225	2240	2225
<b>L</b> Frame height at rear (unladen)	700	710	710	710	710
with opt. rear air suspension- raised	645+40	645+40	645+40	645+40	645+40
with opt. rear air suspension- lowered	645-60	645-60	645-60	645-60	645-60
Turning circle (k to k) (m)	10.4	11.0	12.6	11.0	12.6
Turning circle (w to w) (m)	11.5	12.8	13.7	12.8	13.7

### Body Dimensions (mm)

Maximum body width	2200	2200	2200	2200	2200
Recommended maximum body length	3000	3885	4495	3885	4495

### Weights (kg)

Kerb weights are with full fuel tank, oil, water, spare wheel, tools and include driver @ 75 kg. Kerb weights are subject to a manufacturing tolerance of + or - 5%.

Model	35S12	35S12	35S12	35S14	35S14
Wheelbase	3000	3450	3750	3450	3750
GVW	3500	3500	3500	3500	3500
GTW	5500	5500	5500	5500	5500
Kerb weights					
Front axle	1240	1250	1260	1250	1260
Rear axle	495	500	505	500	505
Total	1735	1750	1765	1750	1765
Maximum body & payload	1765	1750	1735	1750	1735
Plated weights					
Front axle	1650	1650	1650	1650	1650
Rear axle	2240	2240	2240	2240	2240

# IVECO DAILY 35S12 / 35S14 Chassis Cab

Engines	S12	S14
Fuel	Diesel	Diesel
Capacity (litres)	2.3	2.3
Cylinders	4 (16 valves)	
Emission Compliance	Euro 4	
Fuel System	Common rail Generation 2	
Power (hp/ kW)	116/ 85	136/ 100
@ rpm	3200-3900	3000-3900
Torque (Nm/ lbft)	270/ 199	320/ 236
@ rpm	1800-2800	1700-3000
Exhaust System	Centre emit	

Gearboxes	S12	S14
Type	5S300OD	5S300OD
	5 speed synchromesh overdrive	5 speed synchromesh overdrive
1st gear	4.99 : 1	4.99 : 1
Top gear	0.78 : 1	0.78 : 1

Performance	S12		S14	
Gear	1st	Top	1st	Top
Max. geared speed (mph)	15	98	16	103
Gradeability @ GVW (%)	40+	6	40+	8

Rear Axle Ratios	S12	S14
Standard	4.18	4.18

Clutch	S12	S14
Type	Hydraulic	Hydraulic
Diameter	267	267

Electrics	S12	S14
Alternator - std	14v - 110A	
Alternator - opt	14v - 140A	
Battery	12v - 110Ah	

**Lighting & Signalling**  
Halogen headlamps; front fog lamps; twin rear fog lamps; twin reverse lamps

Suspension	S12	S14
Front	Independent with transverse link spring	
Rear	Single leaf parabolic	
Anti-roll Bar	Standard on rear axle	
Shock absorbers	Front and rear	

Brakes	S12	S14
Front / Diameter	Ventilated disc brakes / 300 mm	
Rear / Diameter	Disc brakes / 296 mm	
ABS + EBD	Standard	
Parking brake	On rear axle	

**Steering** Power assisted - Rack & Pinion

Wheels & Tyres	S12	S14
Wheels	6JK 16	
Tyres	225/ 65R16	
Spare	Standard	

## Standard Equipment

### Cab

Drivers airbag (option on 35S12)	Dual passenger seat with headrests
Fully adjustable driver's seat with headrest	Large dual storage pockets in doors
Three point inertia reel belt on all seats	Single piece floor mat
Exterior mirrors with integrated wide angle and direction indicators	2 cup holders
Underseat storage	Glove compartment with added storage
A4 storage compartment	Bottle holder
Cooled compartment (with opt. air conditioning)	Additional in-dash storage
	Clip holder

### Heating & Ventilation

Four speed fan with 5 different distribution modes and cab recirculation  
Windshield and side window defrost facility  
Fresh air ventilation when heater turned off

### Dashboard incorporates

Dash-mounted gear lever	RDS stereo radio/CD player (with Can security)
Provision for GPS or tachograph	Speedometer
Coolant temperature indicator	Rev. counter
3 DIN drawers, two of which carry CD Player and/or tachograph	
LCD Display Panel includes: odometer, trip computer with distance, time, fuel consumption etc; headlamp orientation (dip/main); clock	

### Security

Central locking with remote control and door locking management - anti-theft system	Engine immobiliser
	Steering lock

### Chassis

Flat topped high tensile steel c-section frame complete with pedestal body mounting brackets  
Rear underslung spare wheel and carrier  
Rear under ride guard

### Construction & Finish

C-section steel longitudinal side members and tubular cross members with pressed steel unitary construction body mounted on rubber bushes. Anti-corrosion protection includes full cathophoretic dipping with galvanized boxed sections and strategic use of zinc plated panels in vulnerable areas. Protective under seal for all under body cabin area, wheel housings and engine area. SMC bumper and side mouldings.

## Options

AGile semi-automated 6-speed gearbox  
Airbag for driver (35S12) with seat belt pretensioners  
Airbags for driver and passengers with seat belt tensioners  
Airbags for driver and passengers with seat belt tensioners plus window bags  
Air conditioning  
Alarm system  
Alternator- heavy duty  
Ambient air temperature gauge (option with air conditioning)  
ASR - Traction control  
Blue Tooth vivavoice system with steering wheel controls  
Body builder connectors  
Colour keyed bumper and trim  
Comfort dashboard - LCD panel additions include: External temperature display; servicing indicator; ice warning; automated gearbox  
Comfort seats - driver and passenger  
ECAS air suspension on rear axle  
ESP - Electronic Stability Programme (includes ABS - Anti-lock Brakes, EBD - Electronic Brake Force Distribution, ASR - Traction Control, MSR - Motor Torque Reduction, HBA - Hydraulic Brake Assist)  
Exhaust with CRT  
Exterior mirrors - heated and electrically adjustable  
Fuel tank with locking cap - 100 litres  
GPS satellite navigation  
Headlamp washers  
Long external mirror arm  
Overhead windscreen storage rack and DIN drawer  
PVC trim  
Rear axle ratio options  
Full screen satellite navigation  
Tachograph - digital  
Tow bar with ball  
Towing electric socket (13 pin)  
Windows electrically operated

For a complete list of Daily options please contact your local Iveco distributor