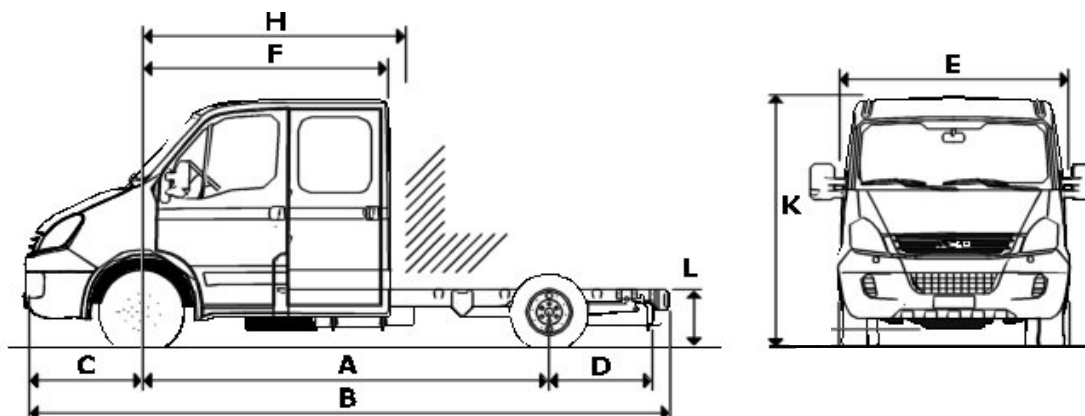


IVECO DAILY



50C15 / 50C18 Crew Cabs



Models

	50C15 50C18	50C15 50C18	50C15 50C18
--	----------------	----------------	----------------

Dimensions (mm)

A Wheelbase	3450	3750	4350
B Overall length	5928	6538	7358
C Front overhang	998	998	998
D Rear overhang	1355	1665	1885
E Maximum cab width	1996	1996	1996
F Front axle to back of cab	2105	2105	2105
H Front axle to body	2160	2160	2160
Cab gap	55	55	55
K Overall height (unladen)	2295	2290	2280
L Frame height at rear	750	750	750
with opt. rear air suspension- raised	660+70	660+70	660+70
with opt. rear air suspension- lowered	660-50	660-50	660-50
Turning circle (k to k) (m)	12.5	13.4	15.3
Turning circle (w to w) (m)	13.6	14.5	16.4

Body Dimensions (mm)

Maximum body width	2200	2200	2200
Option	2350	2350	2350
Recommended maximum body length	2960	3650	4590

Weights (kg)

Kerb weights are with full fuel tank, oil, water, spare wheel, tools and include driver @ 75 kg. Kerb weights are subject to a manufacturing tolerance of + or - 5%.

Wheelbase	3450	3750	4350
GVW	5200	5200	5200
GTW	8700	8700	8700
Kerb weights			
Front axle	1495	1515	1560
Rear axle	755	750	730
Total	2250	2265	2290
Maximum body & payload	2950	2935	2910
Plated weights			
Front axle	1900	1900	1900
Rear axle	3700	3700	3700

IVECO DAILY 50C15 / 50C18 Crew Cabs

Engines	C15	C18
Fuel	Diesel	Diesel
Capacity (litres)	3.0	3.0
Cylinders	4 (16 valves)	
Emission Compliance	Euro 4	
Fuel System	Common rail Generation 2	
Power (hp/ kW)	146/ 107	176/ 130
@ rpm	3000-3500	3200-3500
Torque (Nm/ lbft)	350/ 258	400/ 295
@ rpm	1400-2600	1250-3000
Exhaust System	Centre emit	

Gearboxes	C15	C18
Type	6S400OD	6S400OD
	6 speed	6 speed
	synchromesh	synchromesh
	overdrive	overdrive
1st gear	5.37 : 1	5.37 : 1
Top gear	0.79 : 1	0.79 : 1

Performance	C15		C18	
	1st	Top	1st	Top
Gear	12	84	13	89
Max. geared speed (mph)	40+	6	40+	7
Gradeability @ GVW (%)				

Rear Axle Ratios	C15	C18
Standard	4.18	3.91

Clutch	C15	C18
Type	Hydraulic	Hydraulic
Diameter	280	280

Electrics	
Alternator - std	14v - 110A
Alternator - opt	14v - 140A
Battery	12v - 110Ah

Lighting & Signalling
Halogen headlamps; front fog lamps; twin rear fog lamps; twin reverse lamps

Suspension	
Front	Independent with torsion bars
Rear	Semi-elliptic leaf springs
Anti-roll Bar	Front and rear
Shock absorbers	Front and rear

Brakes	
Front / Diameter	Ventilated disc brakes / 290 mm
Rear / Diameter	Disc brakes / 289 mm
ABS + EBD	Standard
Parking brake	On rear axle

Steering Power assisted - Rack & Pinion

Wheels & Tyres	
Wheels	6JK 16
Tyres	195/ 75R 16
Spare	Standard

Fuel Tank 70 litres on nearside with locking fuel cap

Standard Equipment

Cab (6+1)

Fully adjustable driver's seat with headrest
Dual passenger seat with headrests
4 passenger rear seat with headrests
Three point inertia reel belt on front seats and rear outer seats. Inertia lap belt for rear centre seats
Exterior mirrors with integrated wide angle and direction indicators
Underseat storage
Cooled compartment (with opt. air conditioning)
Rear doors with sliding windows

Large dual storage pockets in doors
Single piece floor mat
2 cup holders
Glove compartment with added storage
Bottle holder
Additional in-dash storage
Clip holder
A4 storage compartment
Rear panel with small window
Additional light in rear
Support handle in rear for outer passengers

Heating & Ventilation

Four speed fan with 5 different distribution modes and cab recirculation
Windshield and side window defrost facility
Fresh air ventilation when heater turned off

Dashboard incorporates

Dash-mounted gear lever
Provision for GPS or tachograph
Coolant temperature indicator
3 DIN drawers, two of which carry CD Player and/or tachograph
LCD Display Panel includes: odometer, trip computer with distance, time, fuel consumption etc; headlamp orientation (dip/main); clock

RDS stereo radio/CD player (with Can security)
Tachograph - digital
Rev. counter

Security

Central locking with remote control and door locking management - anti-theft system
Engine immobiliser
Steering lock

Chassis

Flat topped high tensile steel c-section frame complete with pedestal body mounting brackets
Rear underslung spare wheel and carrier
Rear under ride guard

Construction & Finish

C-section steel longitudinal side members and tubular cross members with pressed steel unitary construction body mounted on rubber bushes. Anti-corrosion protection includes full cathodic dipping with galvanized boxed sections and strategic use of zinc plated panels in vulnerable areas. Protective under seal for all under body cabin area, wheel housings and engine area. SMC bumper and side mouldings.

Options

AGile semi-automated 6-speed gearbox
Airbag for driver with seat belt pretensioners
Airbags for driver and passengers with seat belt tensioners
Airbags for driver and passengers with seat belt tensioners plus window bags
Air conditioning
Alarm system
Alternator- heavy duty
Ambient air temperature gauge (option with air conditioning)
ASR - Traction control
Blue Tooth vivavoce system with steering wheel controls
Body builder connectors
Colour keyed bumper and trim
Comfort dashboard - LCD panel additions include: External temperature display; servicing indicator; ice warning; automated gearbox
Comfort seats - driver and passenger
ECAS air suspension on rear axle
ESP - Electronic Stability Programme (includes ABS - Anti-lock Brakes, EBD - Electronic Brake Force Distribution, ASR - Traction Control, MSR - Motor Torque Reduction, HBA - Hydraulic Brake Assist)
Exhaust with CRT
Exterior mirrors - heated and electrically adjustable
Fuel tank with locking cap - 100 litres
GPS satellite navigation
Headlamp washers
Long external mirror arm
Overhead windscreen storage rack and DIN drawer
PVC trim
Rear axle ratio options
Full screen satellite navigation
Tow bar with ball
Towing electric socket (13 pin)
Windows electrically operated

For a complete list of Daily options please contact your local Iveco distributor